

Light duty fixings

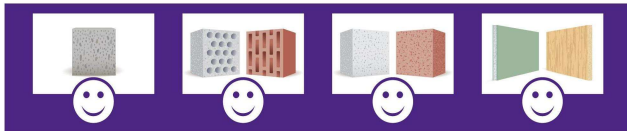
Home // Products // Fixings // Light duty fixings // **MZK**

MZK

 **Made in Germany**



Multi-purpose plug MZK



Description



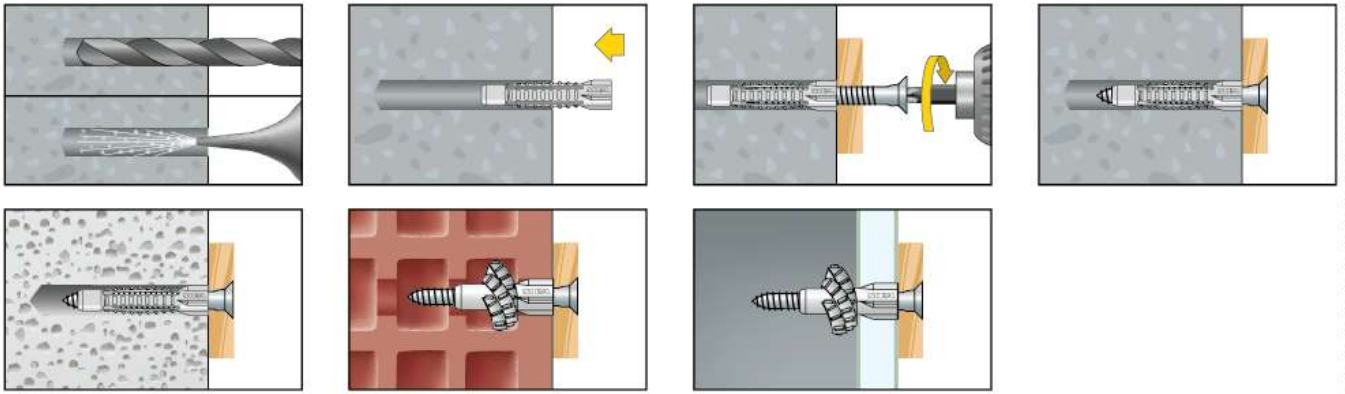
Advantages

Knotting plug that has proven its qualities millions of times;
excellent performance in almost every building material
The 4-sided expansion in solid building materials and the knotting in perforated bricks or board materials always - provides a secure fixing with high pull out loads
High quality polyethylene guarantees long lasting elasticity and reliable knotting behaviour
Compatible with many types and sizes of screws

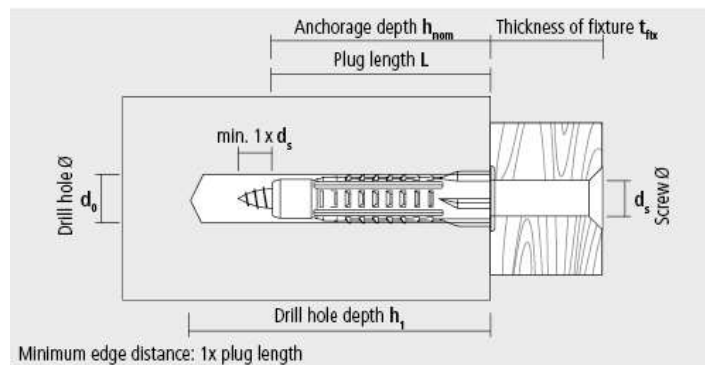
Suitable building materials

- ✓ Concrete
- ✓ Natural stone
- ✓ Solid brick
- ✓ Solid sand-lime brick
- ✓ Lightweight solid concrete blocks
- ✓ Aerated concrete
- ✓ Gypsum blocks
- ✓ Hollow brick
- ✓ Hollow sand-lime brick
- ✓ Lightweight hollow concrete blocks
- ✓ Plasterboard
- ✓ Chipboard

Installation



Assortment



MZK with collar								Packing	
Type	Art-No	d_0 [mm]	$h_1 \geq$ [mm]	$h_{nom} \geq$ [mm]	L [mm]	h_{min}^1 [mm]	d_s [mm]	[pcs]	[pcs]
MZK 6	96MZK	6	40	29	30	7	3-4,5	100	4.800
MZK 6-41	9641MZK	6	50	40	41	7	3-4,5	100	2.700
MZK 8	98MZK	8	60	48	49	9	4-6	100	1.800
MZK 10	910MZK	10	75	59	60	12	6-8	50	900
MZK 12	912MZK	12	85	71	72	15	8-10	50	600
MZK 14	914MZK	14	95	75	76	15	10-12	25	300

¹ Min. thickness of structural part or board (e. g. for applications in plasterboard)



MZK with collar, incl. PZ chipboard screw (MZK 6, 6-41 and 8) and hex-head wood screw (MZK 10) respectively								Packing	
Type	Art-No	d_0 [mm]	$h_1 \geq$ [mm]	$h_{nom} \geq$ [mm]	L [mm]	h_{min}^1 [mm]	$d_s \times L_s^2$ [mm]	[pcs]	[pcs]
MZK 6 SPS	96MZKSZ	6	40	29	30	7,0	4,5 x 45	50	2.400
MZK 6-41 SPS	9641MZKSZ	6	50	40	41	7,0	4,5 x 50	50	1.350
MZK 8 SPS	98MZKSZ	8	60	48	49	9,5	5,0 x 70	50	900
MZK 10 SKS	910MZKK	10	75	59	60	12,0	6,0 x 80	25	450

¹ Min. thickness of structural part or board (e. g. for applications in plasterboard)

² Screw length



MZK with collar, in round box								Packing	
Type	Art-No	d ₀ [mm]	h ₁ ≥ [mm]	h _{nom} ≥ [mm]	L [mm]	h _{min} ¹ [mm]	d _s [mm]	[pcs]	[boxes]
MZK 6-41	9641EXPMZK	6	50	40	41	7,0	3-4,5	200	10
MZK 8	98EXPMZK	8	60	48	49	9,5	4-6	90	10
MZK 10	910EXPMZK	10	75	59	60	12,0	6-8	50	10
MZK 12	912EXPMZK	12	85	71	72	15,0	8-10	25	10

¹ Min. thickness of structural part or board (e. g. for applications in plasterboard)



Multi-purpose plug MZK with collar								Packing	
Type	Art-No	Drill hole Ø d ₀ [mm]	Drill hole depth h ₁ ≥ [mm]	Anchorage depth h _{nom} ≥ [mm]	Plug length L [mm]	Thickness of structural part ¹ h _{min} [mm]	Screw Ø d _s [mm]	[pcs]	[Blister]
MZK 6	56MZK20	6	40	29	30	7,0	3-4,5	20	10
MZK 6-41	5641MZK10	6	50	40	41	7,0	3-4,5	10	10
MZK 8	58MZK15	8	60	48	49	9,5	4-6	15	10
MZK 10	510MZK10	10	75	59	60	12,0	6-8	10	10
MZK 12	512MZK5	12	85	71	72	15,0	8-10	5	10

¹ Min. thickness of structural part or board (e. g. for applications in plasterboard)



Multi-purpose plug MZK with collar, incl. screw								Packing		
Type	Art-No	Drill hole Ø d ₀ [mm]	Drill hole depth h ₁ ≥ [mm]	Anchorage depth h _{nom} ≥ [mm]	Plug length L [mm]	Thickness of structural part ¹ h _{min} [mm]	Screw Ø x length d _s x L _s [mm]	Type of screw	[pcs]	[Blister]
MZK 6 SPS	56MZKSZ20	6	40	29	30	7,0	4,5x40		20	10
MZK 6-41 SPS	5641MZKSZ10	6	50	40	41	7,0	4,5x50		10	10
MZK 6-41 WH	5641MZKWH5	6	50	40	41	7,0	4,5x52		5	10
MZK 6-41 RH	5641MZKRH5	6	50	40	41	7,0	4,5x68		5	10
MZK 8 SPS	58MZKSZ8	8	60	48	49	9,5	5,0x70		8	10
MZK 8 WH	58MZKWH5	8	60	48	49	9,5	5,0x70		5	10
MZK 8 RH	58MZKRH5	8	60	48	49	9,5	5,0x86		5	10
MZK 10 SKS	510MZKK5	10	75	59	60	12,0	6,0x80		5	10
MZK 12 SKS	512MZKK2	12	85	71	72	15,0	8,0x90		2	10

¹ Min. thickness of structural part or board (e. g. for applications in plasterboard)



Assortment box MZK with screw (total pcs in box: 102)							Packing		
Type	Art-No	Content box			Drill hole Ø d ₀ [mm]	Drill hole depth h ₁ ≥ [mm]	Plug length L [mm]	Screw d _s x L [mm]	[Box]
MZK	MIXMZKSZ102	30 Multi-purpose plug MZK 6 incl. SPS 4,5x45 V, Pozi 15 Multi-purpose plug MZK 8 incl. SPS 5,0x60 V, Pozi 6 Multi-purpose plug MZK 10 incl. SKS 6,0x80 DIN 571			6	40	30	4,5 x 60	1
					8	60	49	5,0 x 60	
					10	75	60	6,0 x 80	

Packed in robust plastic box



Assortment box MZK and F without screw (total pcs in box: 156)							Verpackung
Type	Art-No	Content box	Drill hole Ø d_s [mm]	Drill hole depth $h_1 \geq$ [mm]	Plug length L [mm]	Screw $d_s \times L$ [mm]	[Box]
MZK und F	MIXNFMZK156	30 Multi-purpose plug MZK 6 15 Multi-purpose plug MZK 8 6 Multi-purpose plug MZK 10 60 Standard plug F 5 30 Standard plug F 6 15 Standard plug F 8	6 8 10 5 6 8	40 60 75 35 40 55	30 49 60 25 30 40	3,0 - 4,5 4,0 - 6,0 6,0 - 8,0 2,5 - 4,0 3,5 - 5,0 4,5 - 6,0	1

Packed in robust plastic box

Loads for wood screws F_{rec} for the largest applicable screw diameter and full anchorage depth

Type	Screw Ø d_s [mm]	Concrete F_{rec} [kN]	Solid sand-lime brick KSV 12 F_{rec} [kN]	Solid brick MZ 12 F_{rec} [kN]	Aerated concrete AAC2 F_{rec} [kN]	Aerated concrete AAC4 F_{rec} [kN]	Hollow brick HLz 12 F_{rec} [kN]	Plasterboard 12,5 mm F_{rec} [kN]	Chipboard 16 mm F_{rec} [kN]
MZ/MZK 6	4,5	0,30	0,26	0,16	0,04	0,06	0,22	0,06	0,21
MZ/MZK 6-41	4,5	0,52	0,51	0,27	0,06	0,12	0,21	0,08	0,15
MZ/MZK 8	6	0,72	0,59	0,43	0,11	0,14	0,27	0,09	0,23
MZ/MZK 10	8	1,56	1,07	0,68	0,13	0,25	0,31	0,08	0,25
MZ/MZK 12	10	2,02	1,31	–	0,23	0,39	0,42	0,11	0,37
MZ/MZK 14	12	2,27	–	–	0,37	0,59	0,33	0,09	0,30

F_{rec} : Recommended loads incl. safety factor of 7

Loads for chipboard screws F_{rec} for the largest applicable screw diameter and full anchorage depth

Type	Screw Ø d_s [mm]	Concrete F_{rec} [kN]	Solid sand-lime brick KSV 12 F_{rec} [kN]	Solid brick MZ 12 F_{rec} [kN]	Aerated concrete AAC2 F_{rec} [kN]	Aerated concrete AAC4 F_{rec} [kN]	Hollow brick HLz 12 F_{rec} [kN]	Plasterboard 12,5 mm F_{rec} [kN]	Chipboard 16 mm F_{rec} [kN]
MZ/MZK 6	4,5	0,06	0,06	0,05	0,02	0,03	0,08	0,03	0,14
MZ/MZK 6-41	4,5	0,17	0,15	0,08	0,04	0,05	0,17	0,09	0,21
MZ/MZK 8	6	0,24	0,24	0,21	0,06	0,10	0,26	0,09	0,29
MZ/MZK 10 ¹	6	0,17	0,17	0,16	0,07	0,12	0,35	0,10	0,29

F_{rec} : Recommended loads incl. safety factor of 7

¹ Load values apply to chipboard screws with Ø 6