

12 Volt Mast Amplifier

MAK2350

MAK Series



Five input mast amplifier of the MAK family suitable to amplify and mix together signals coming from different aerial on medium installation.

The product has a metal chassis with F female connector.

The innovative plastic housing system locks the cover in place and rotates the case to guarantee safe and quick installation. Adjustable plastic strap for mast mounting \varnothing 60mm max.

Key points

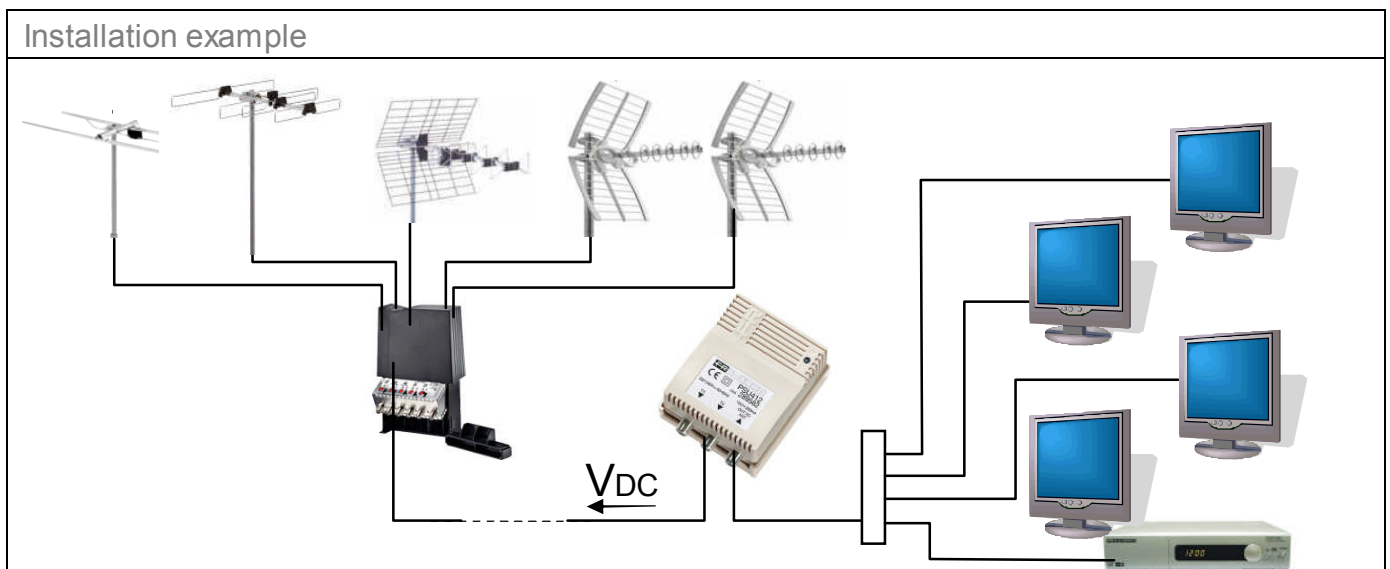
- Separate amplification VHF and UHF bands
- High gain
- High output level
- Low noise figure
- Completely shielded
- Quick and easy installation

| | | | MAK2350 |
|---|------------|------|-----------|
| Fracarro Code | | | 223340 |
| Inputs | no. | | 5 |
| | Input 1 | Band | I |
| | Input 2 | Band | III |
| | Input 3 | Band | IV |
| | Input 4 | Band | V |
| | Input 5 | Band | UHF |
| Output | no. | | 1 |
| INPUT 1 Band I | | | |
| Bandwidth | MHz | | 47 ÷ 68 |
| Gain | dB | | 21 |
| Gain Adjustment | dB | | 20 |
| Noise Figure | dB | | 4 |
| Maximum output level (IM3 -60dBc 3 tones) | dB μ V | | 109 |
| Maximum output level (IM3 -35dBc 2 tones) | dB μ V | | 116 |
| Only DTT signals | | | |
| INPUT 2 Band III | | | |
| Bandwidth | MHz | | 174 ÷ 230 |
| Gain | dB | | 19 |
| Gain Adjustment | dB | | 20 |
| Noise Figure | dB | | 4 |
| Maximum output level (IM3 -60dBc 3 tones) | dB μ V | | 109 |
| Maximum output level (IM3 -35dBc 2 tones) | dB μ V | | 116 |
| Only DTT signals | | | |
| INPUT 3 Band IV | | | |
| Bandwidth | MHz | | 470 ÷ 590 |
| Gain | dB | | 22 |
| Gain Adjustment | dB | | 20 |
| Noise Figure | dB | | 8 |
| Maximum output level (IM3 -60dBc 3 tones) | dB μ V | | 112 |

| | | |
|--|------------|------------|
| Maximum output level (IM3 -35dBc 2 tones) Only DTT | dB μ V | 119 |
| INPUT 4 Band V | | |
| Bandwidth | MHz | 470 ÷ 590 |
| Gain | dB | 22 |
| Gain Adjustment | dB | 20 |
| Noise Figure | dB | 8 |
| Maximum output level (IM3 -60dBc 3 tones) | dB μ V | 112 |
| Maximum output level (IM3 -35dBc 2 tones) Only DTT signals | dB μ V | 119 |
| INPUT 5 UHF Band | | |
| Bandwidth | MHz | 470 ÷ 862 |
| Gain | dB | 22 |
| Gain adjustment | dB | 20 |
| Noise figure | dB | 8 |
| Maximum output level (IM3 -60dBc 3 tones) | dB μ V | 112 |
| Maximum output level (IM3 -35dBc 2 tones) Only DTT signals | dB μ V | 119 |
| Main Features | | |
| Supply voltage | V | 12 |
| Current consumption | mA | 85 |
| Connectors | type | F female |
| Operating temperature | °C | -10 to +55 |

| Fracarro Code | Item | Packaging | EAN Code | Quantity | Dimensions | Net weight | Total weight |
|---------------|---------|-----------|---------------|----------|------------|------------|--------------|
| | | | | Pcs | mm | Kg | Kg |
| 223340 | MAK2350 | Single | 8016978066001 | 1 | 140x70x130 | 0.450 | 0.450 |

Standard conformity EN 50083-2 (89/336/EEC-EMC)



Fracarro Radioindustrie S.p.A.
via Cazzaro, 3
31033 Castelfranco Veneto (TV)
Italy
tel. +39 0423 7361
fax +39 0423 736220
www.fracarro.com
info@fracarro.com

Fracarro (UK) Ltd
Unit A.
Ibex House, Keller Close
Kiln Farm, Milton Keynes.
MK11 3LL
UK
Tel. +44(0)1908 571571
Fax +44(0)1908 571570

Fracarro Ibérica
Poligono Táctica "Ciudad
de los negocios"
C/2A, nº 4 - 46980
Paterna - Valencia
Tel. +34/961340104
Fax. +34/961340691

Fracarro France S.A.S.
14 bis rue du Retrait
92158 Suresnes Cedex
France
Tel. +33 1 47283400
Fax +33 1 47283421

Fracarro Tecnologia e
Antenas de Televisao Lda
Rua Alexandre Herculano, nº1-1ºB
Edifício Central Park
2795-242 Linda-a-Velha
Portugal
Tel.: +351214156800
Fax: +351214156809